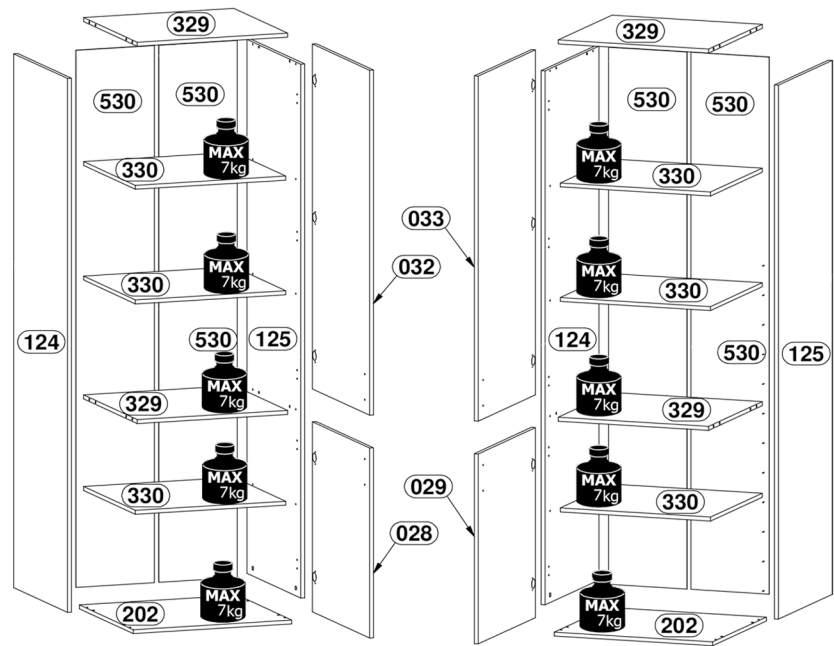
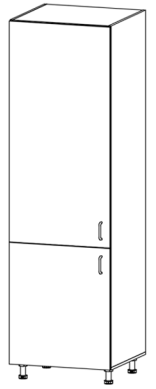
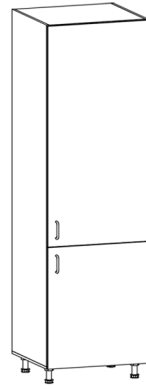
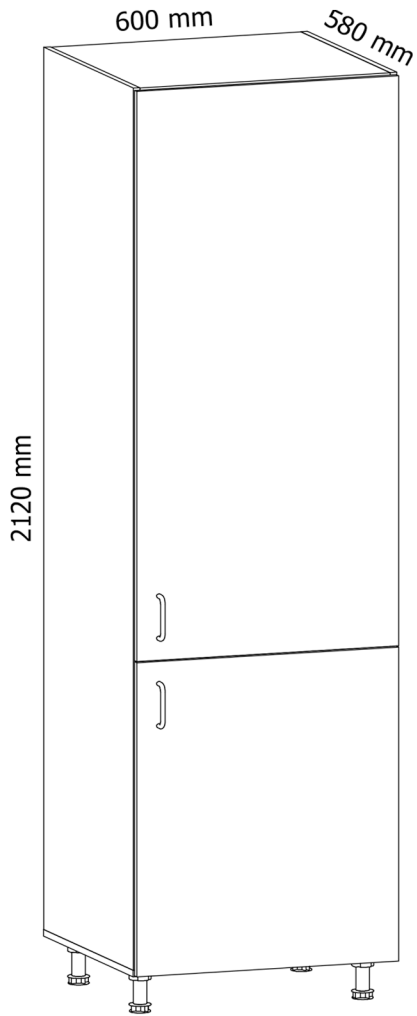
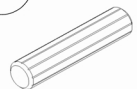



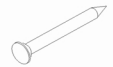
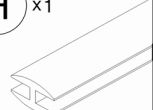
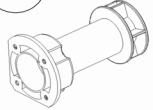
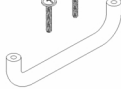
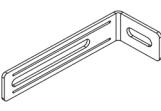




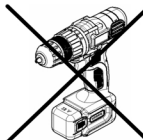
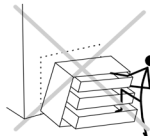
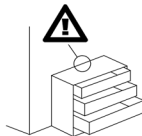
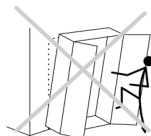
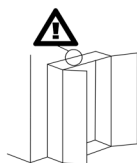


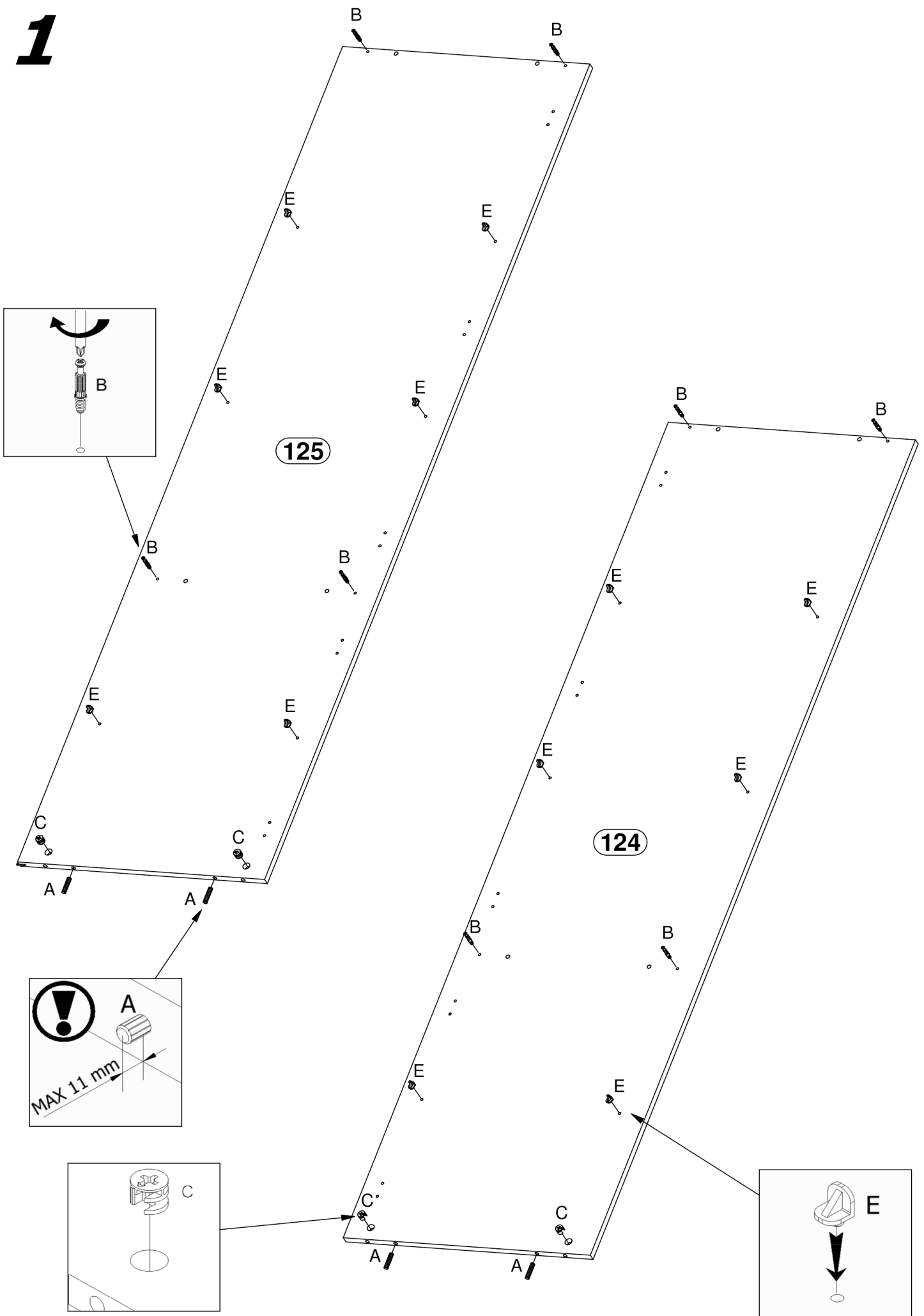
# D60R



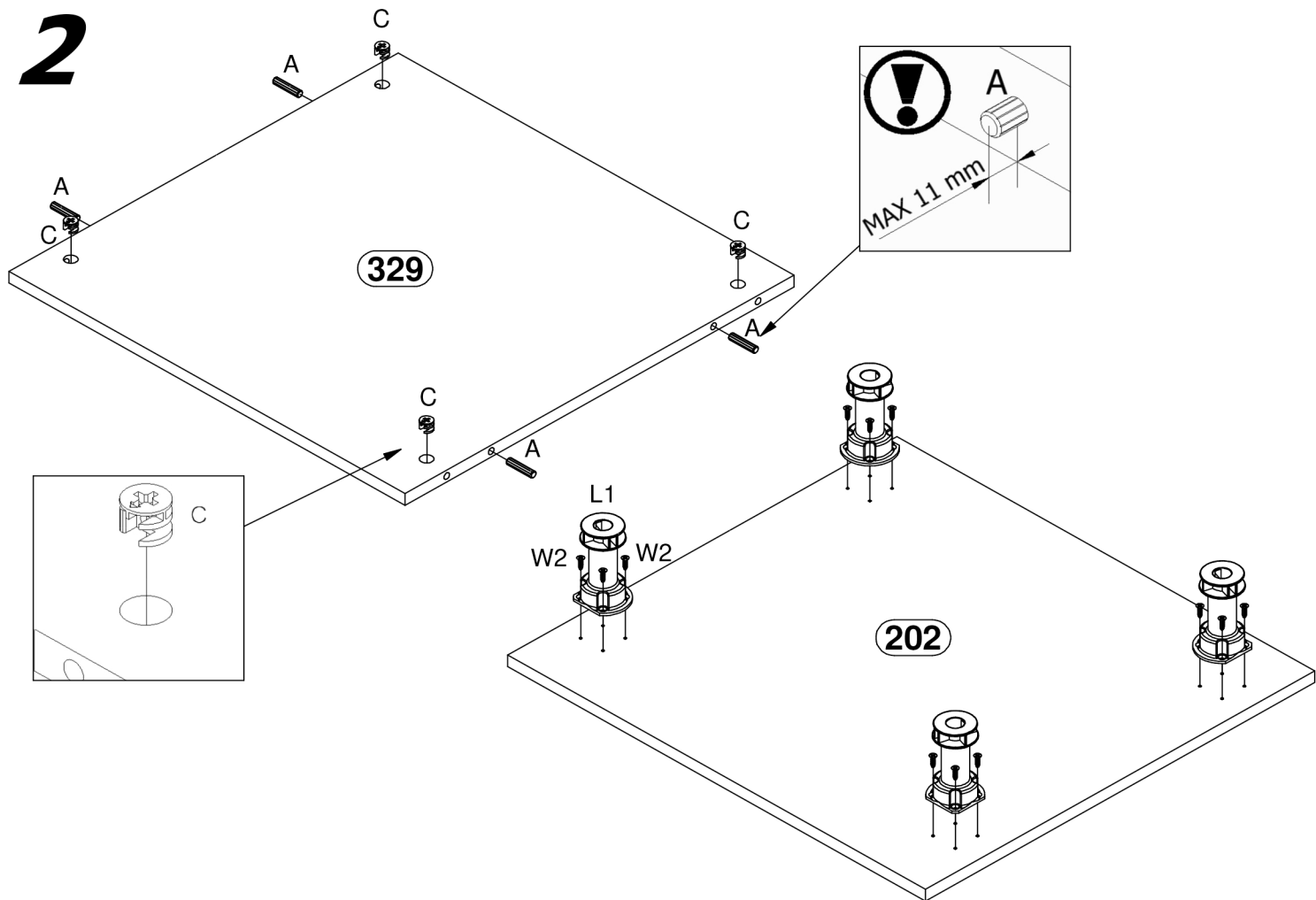
<b>A</b> x12  Ø8x35mm	<b>B</b> x12 	<b>C</b> x12  Ø15x12mm	<b>E</b> x12 
<b>G</b> x40 	<b>H</b> x1  2015 mm	<b>L1</b> x4 	<b>M</b> x2 
<b>T4</b> x1  75x28x16 mm	<b>W2</b> x28  Ø3,5x16mm	<b>Y</b> x12  Ø18 mm	
<b>Zc</b> x5  Zc-1	 Zc-2		



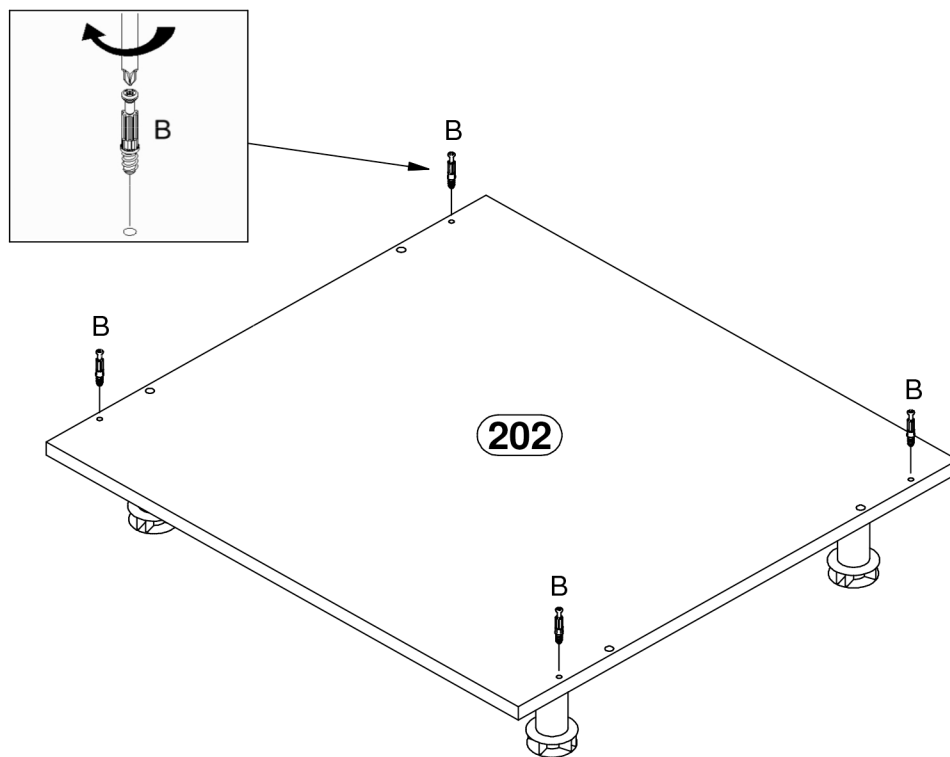
# 1



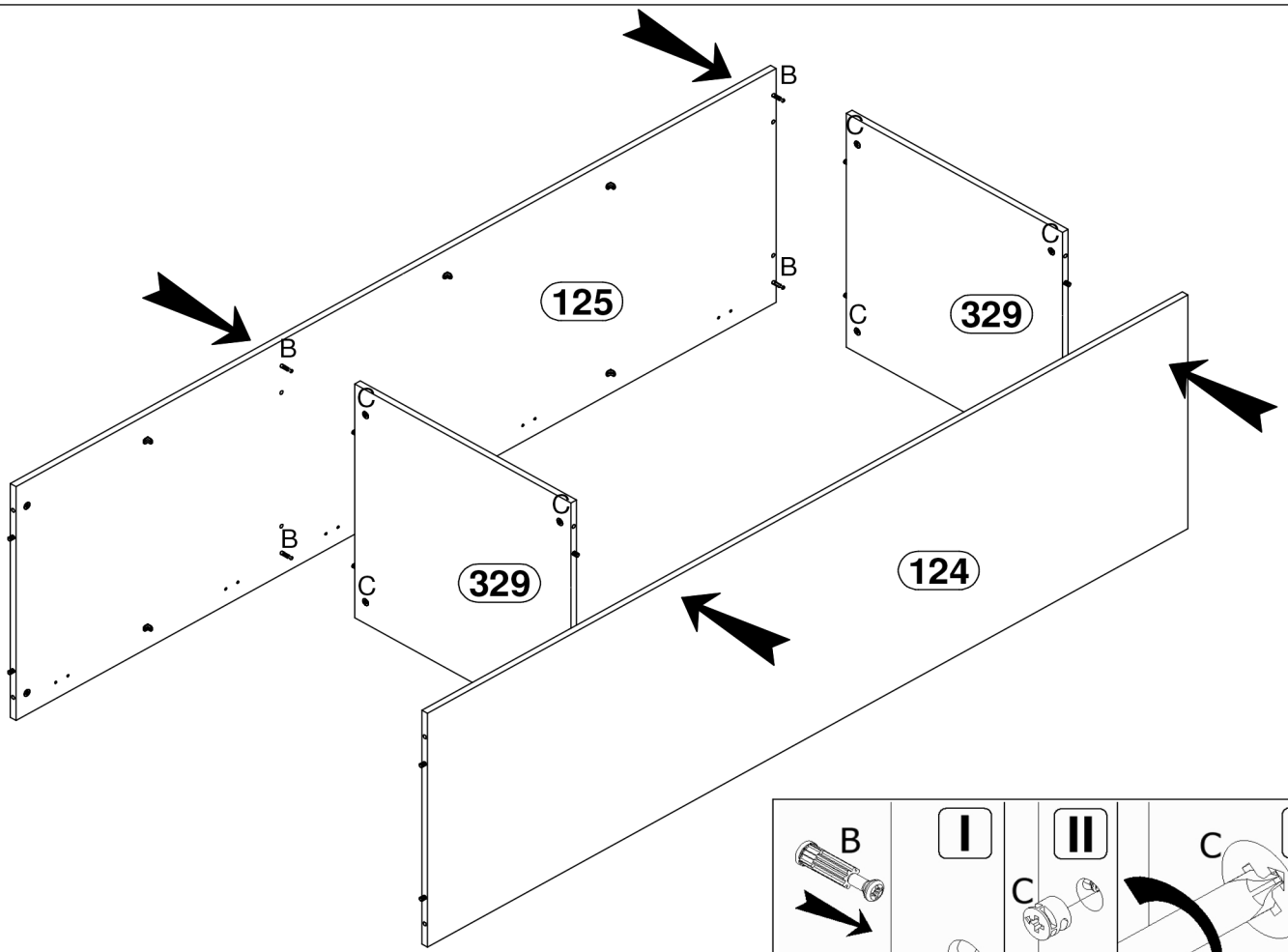
# 2



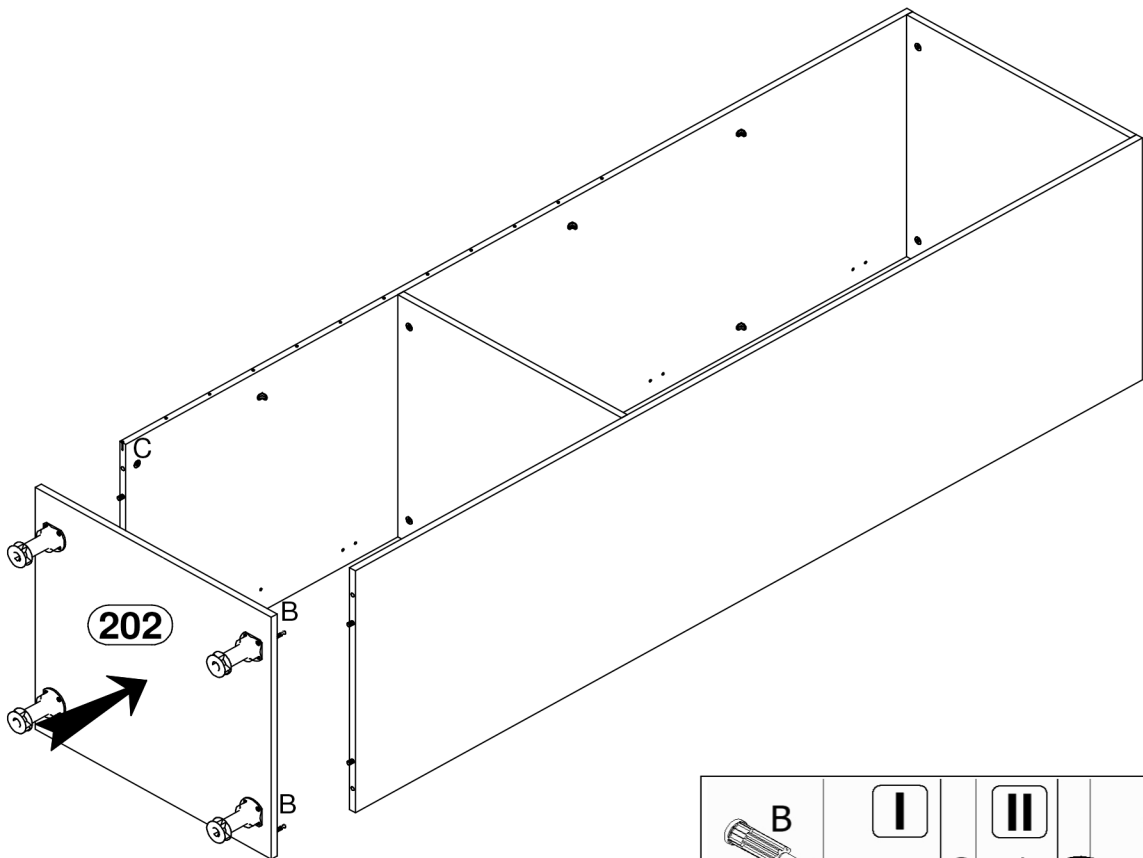
# 3



# 4

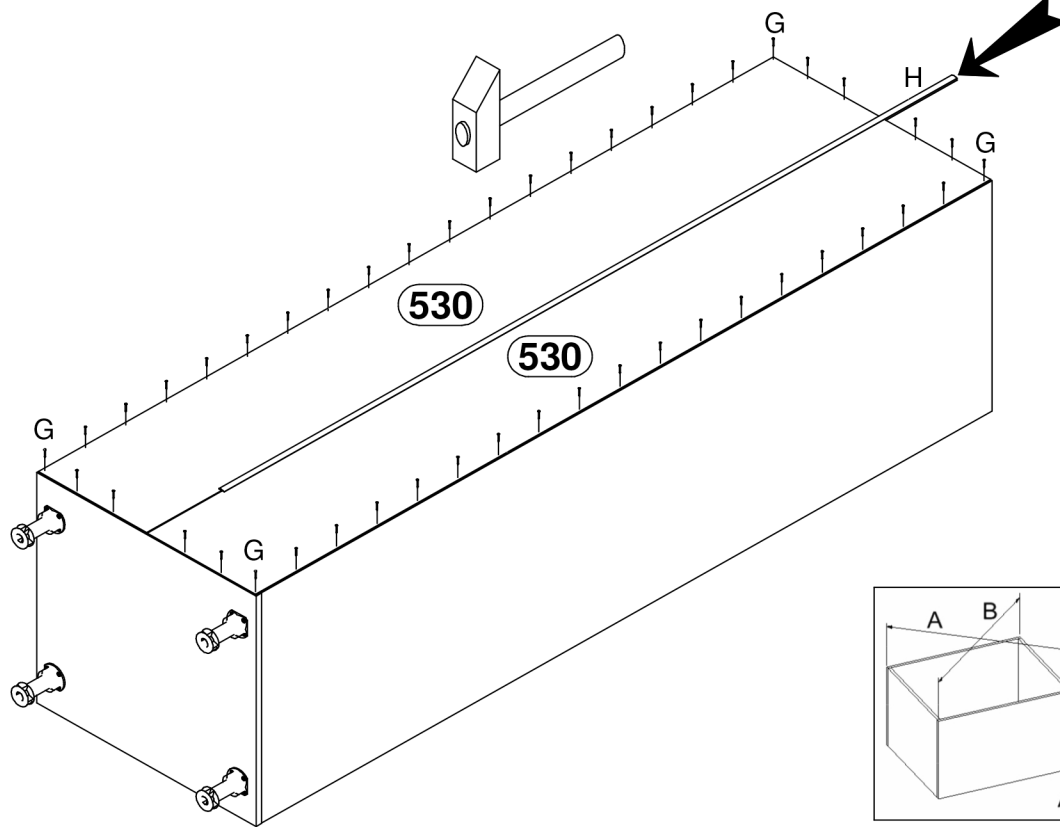


# 5

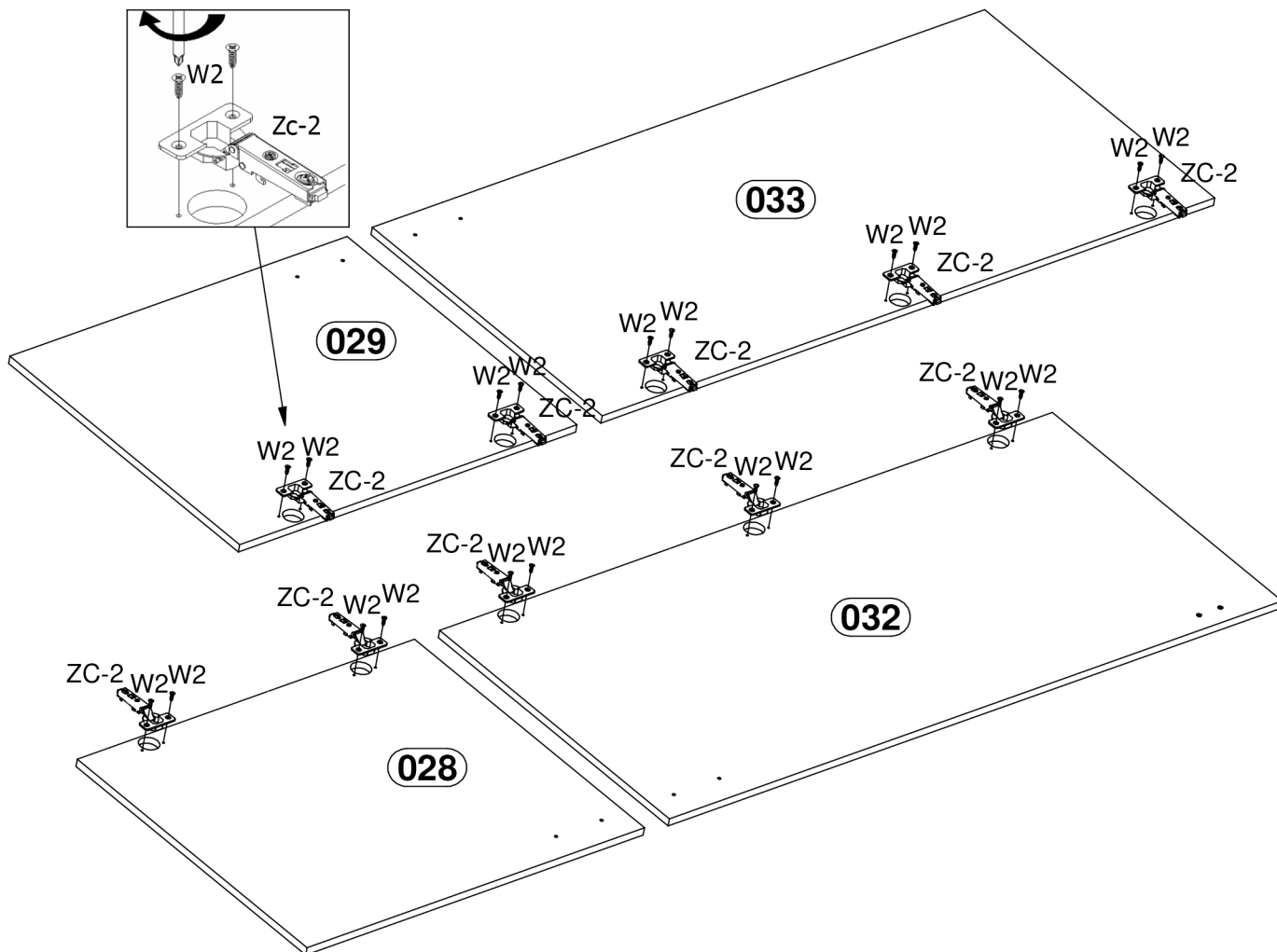




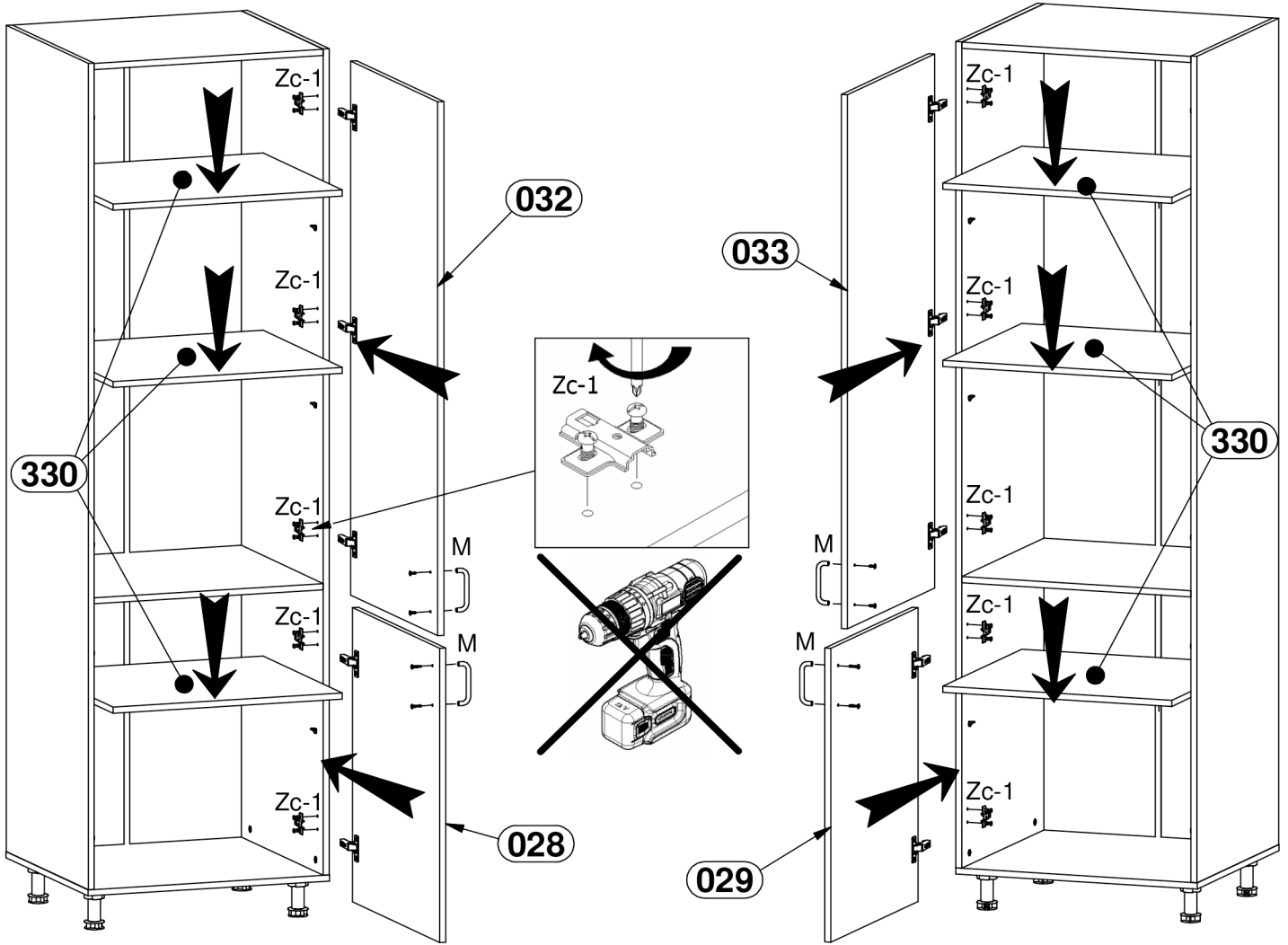
# 6



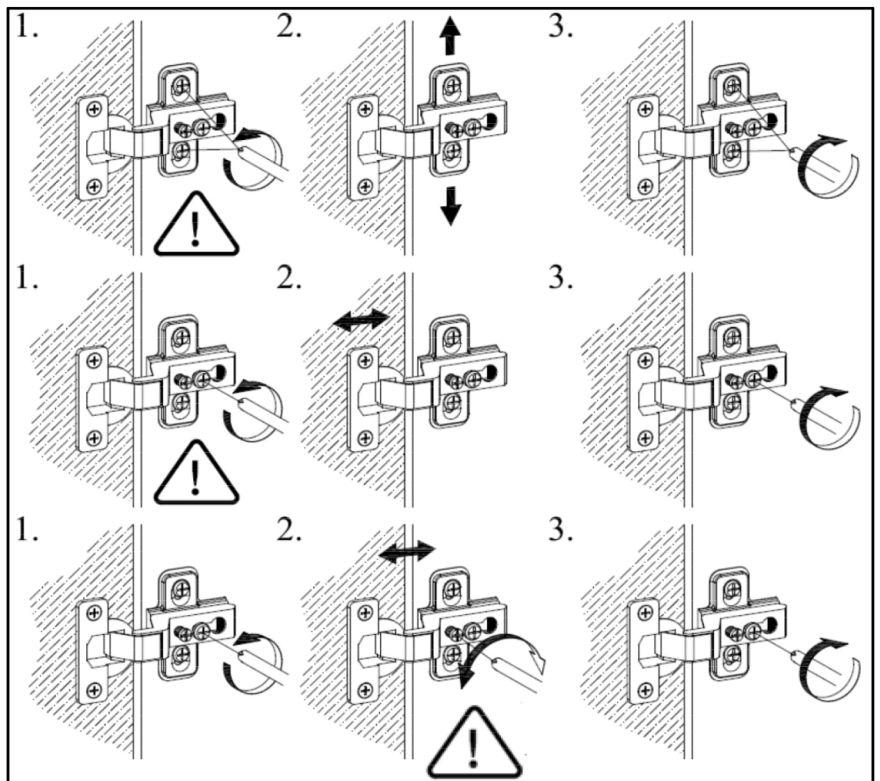
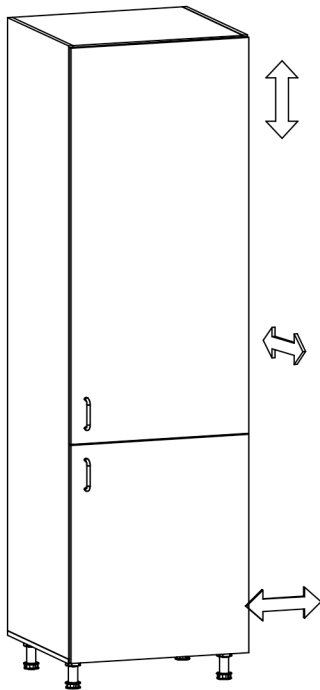
# 7



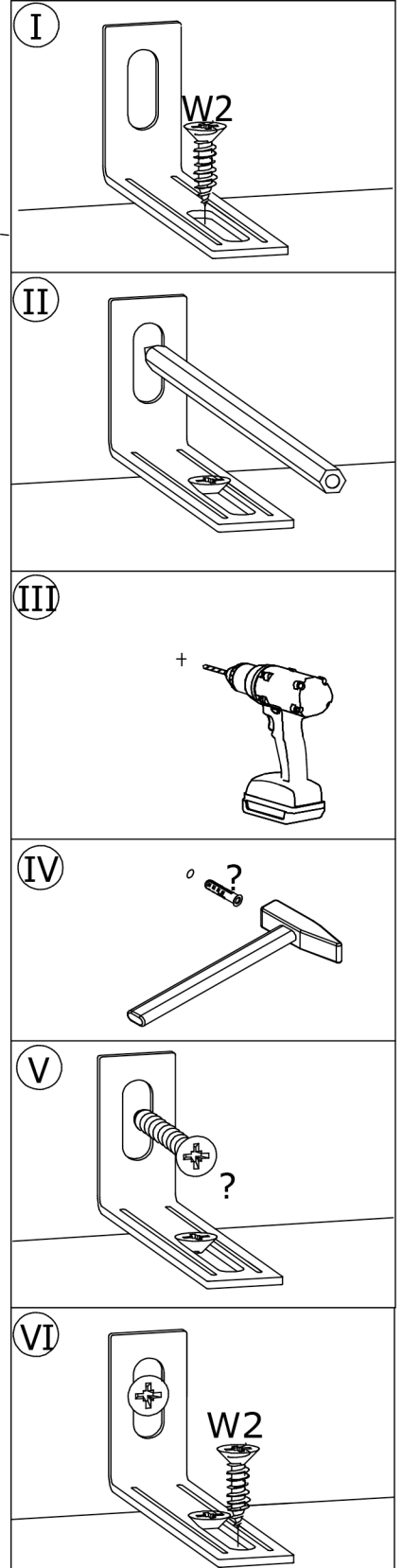
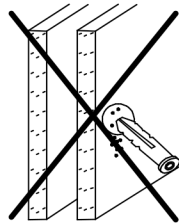
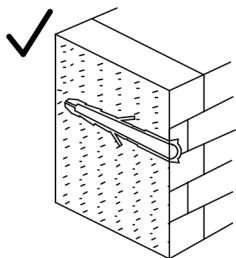
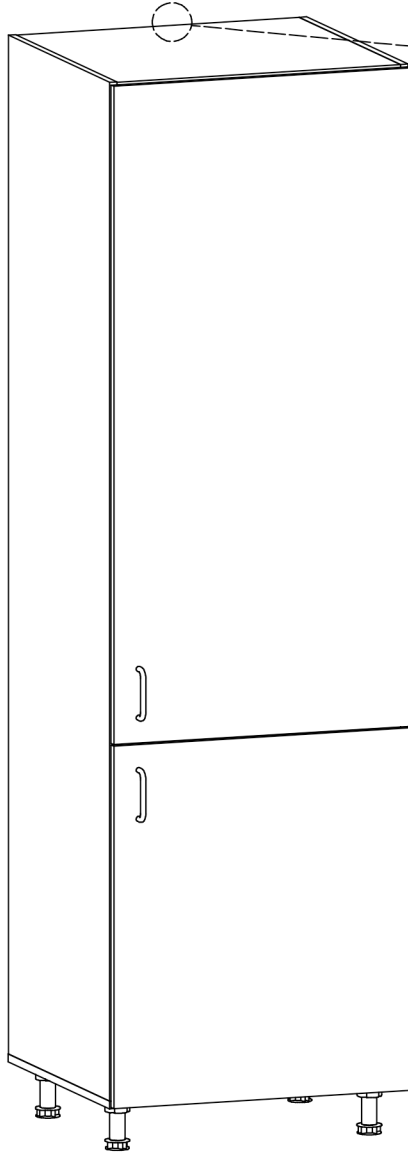
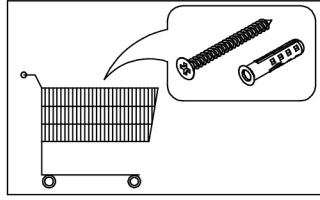
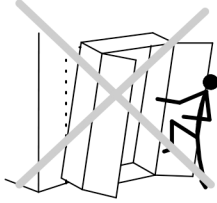
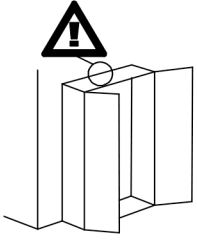
# 8

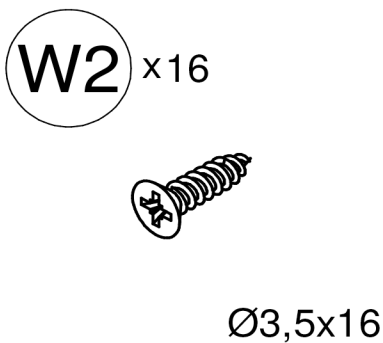
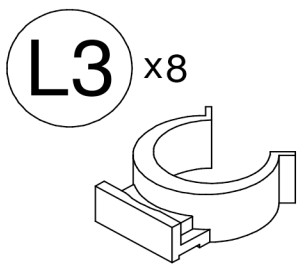
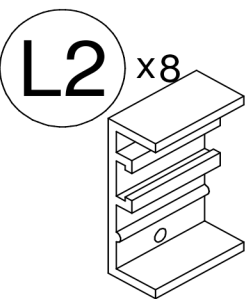
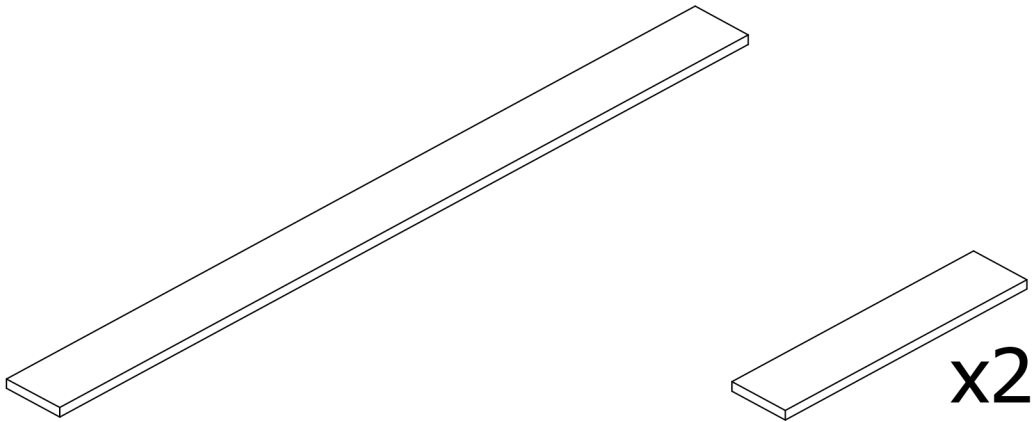
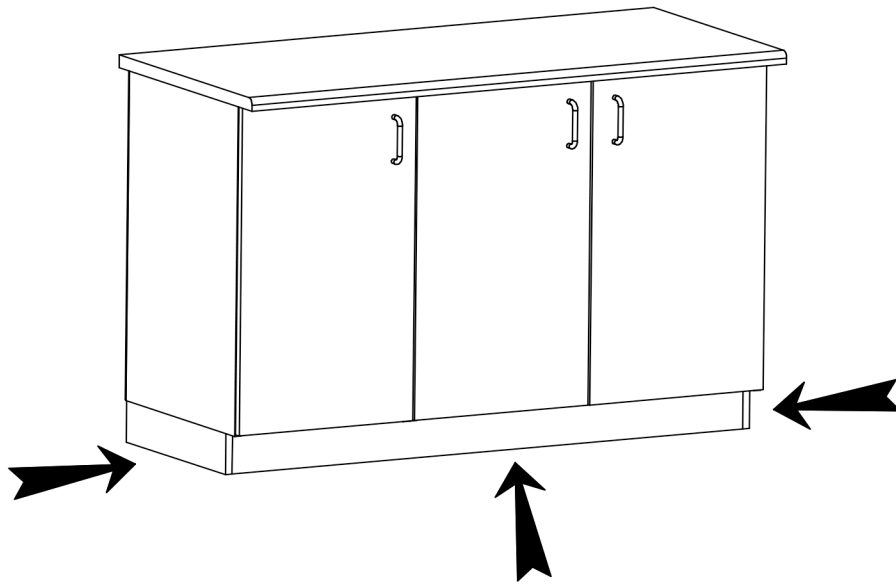


# 9

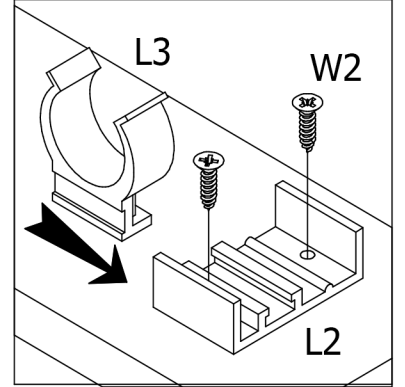
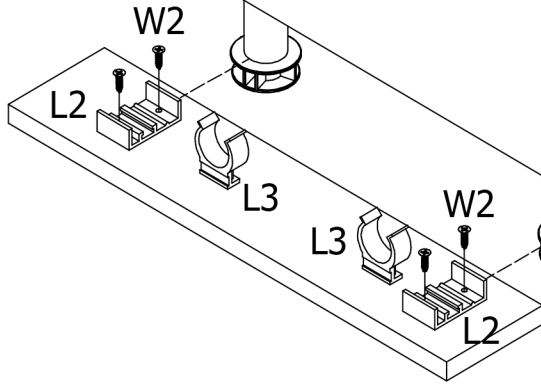


# 11





# 10



# 11

